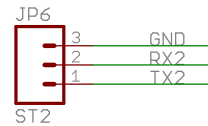
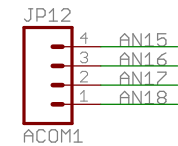
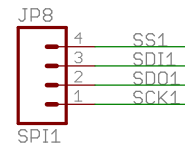
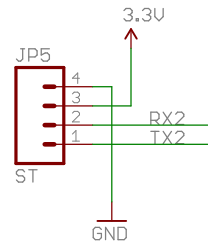
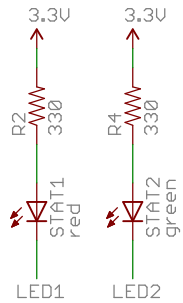
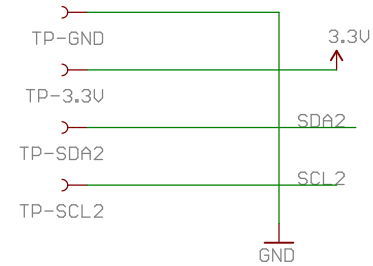
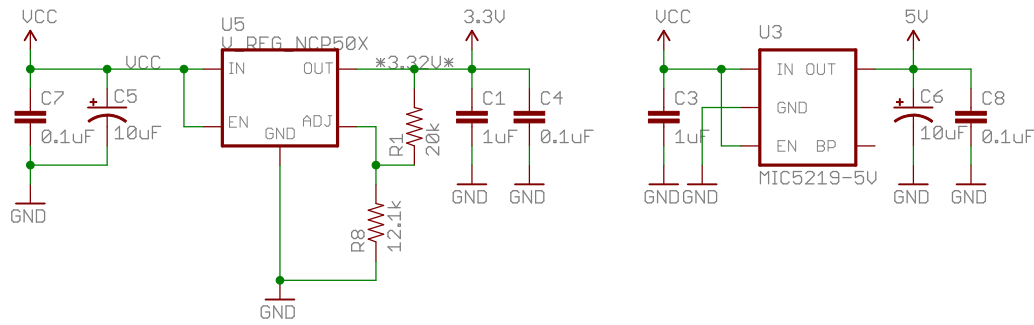


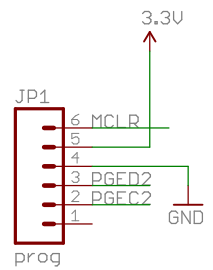
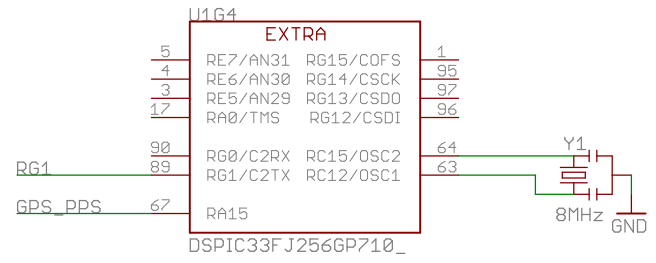
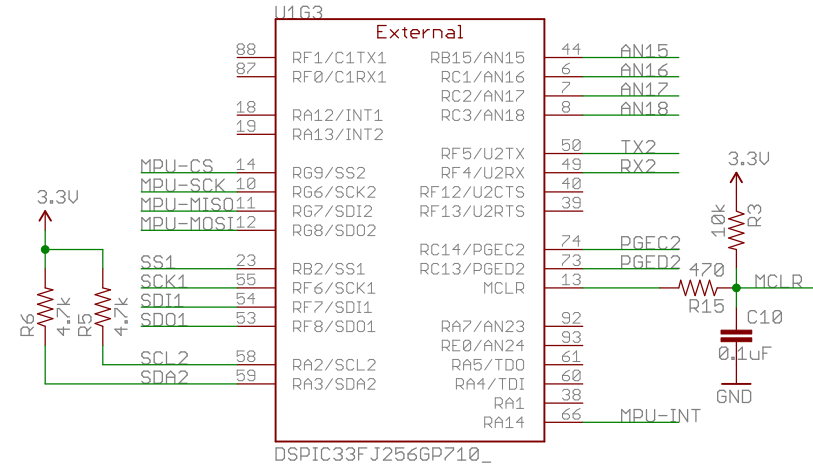
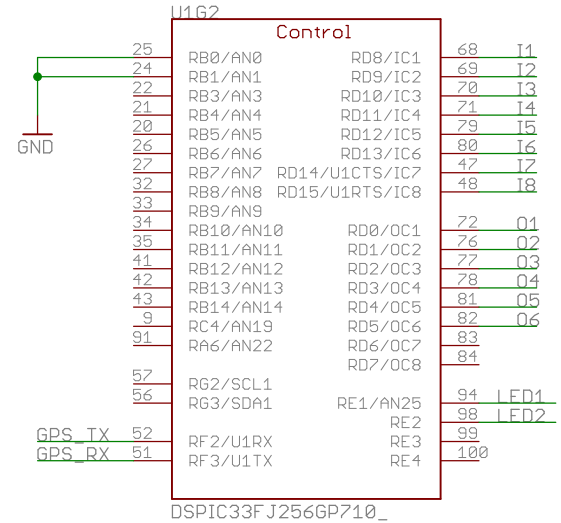
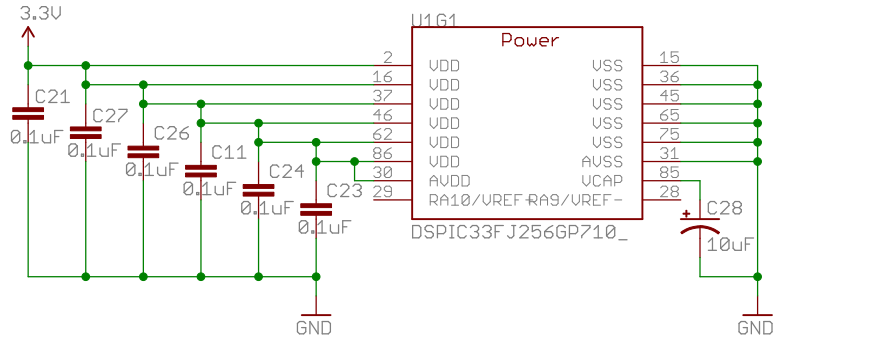
POWER, LEDs, & CONNECTORS



Ben Levitt
 (Adapted from the original
 UDB5 design by Aaron Weiss
 at SparkFun)

UAV Development Board 5 mini	
TITLE: UDB5mini	
Document Number:	REV:
Date: 7/7/2019 5:38:27 PM	Sheet: 1/3

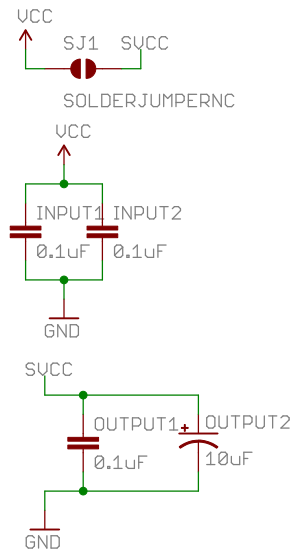
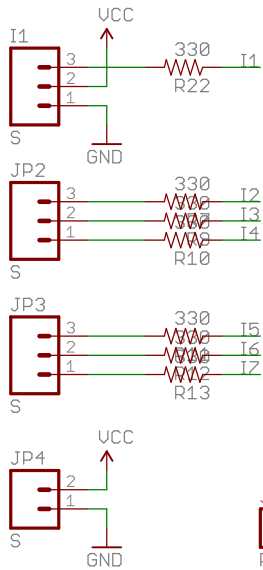
CPU



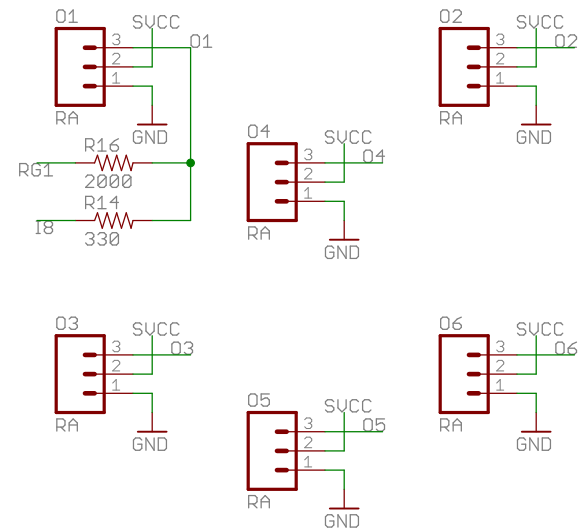
UAV Development Board 5 mini	
TITLE: UDB5mini	
Document Number:	REV:
Date: 7/7/2019 5:38:27 PM	Sheet: 2/3

SERVO CHANNELS

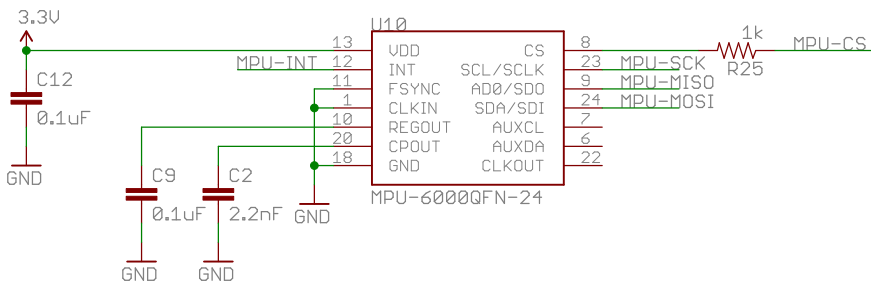
INPUTS



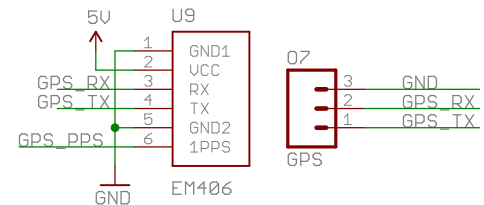
OUTPUTS



GYROS and ACCELEROMETER



GPS



UAV Development Board 5 mini

TITLE: UDB5mini

Document Number:

REV:

Date: 7/7/2019 5:38:27 PM

Sheet: 3/3